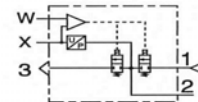


**FEATURES**

The PULSTRONIC II is a compact electropneumatic pressure regulator (E/P transducer) which converts an electrical signal into a pneumatic pressure. It is particularly suited for precise pressure regulation due to its integrated control loop with electronic pressure feedback.

**GENERAL**

<b>Fluids</b>	: Air or neutral gases, filtered at 50 µm, lubricated or unlubricated
<b>Connection</b>	: G 1/8
<b>Pressure range</b>	: 0-3 bar, 0-6 bar, 0-10 bar
<b>Temperature</b>	: 0 °C to +60 °C
- Fluid	: 0 °C to +50 °C
- Ambient	: 0 - 10 V, 0 - 20 mA, 4 - 20 mA
<b>Analog setpoint</b>	: Pressure held on loss of power, without control
<b>Failsafe behaviour</b>	: < 1 % of span
<b>Hysteresis</b>	: ± 0,5 % of span
<b>Repeatability</b>	: ± 0,5 % of span



**CONSTRUCTION**

Body: POM  
 Internal parts: POM  
 Seals: NBR, FPM

**ELECTRICAL CHARACTERISTICS**

voltage (residual ripple: max.10 %)	max. power (W)	max. current (mA)	insulation class	protection degree	electrical connection
24 V <sub>=</sub> +/-10%	3,6	150	F	IP 65	5-pin M12 connector (to be ordered separately)

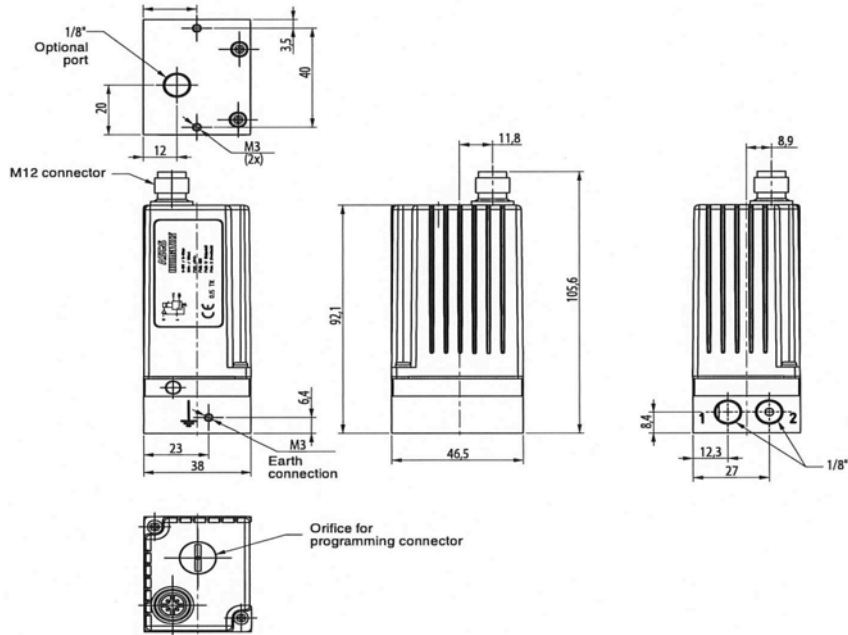
**SPECIFICATIONS**

Ø ports	Ø orifice DN (mm)	flow	
		K <sub>v</sub> coefficient (Nm <sup>3</sup> /h)	at 6 bar (l/min - ANR)
G 1/8	1	0,012	13

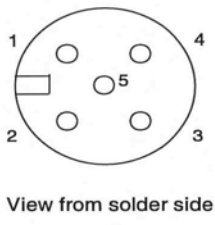
**DIMENSIONS (mm), WEIGHT (kg)**

**VERSION G 1/8**

Weight: 182 g



**CONNECTOR PINNING / CABLE WIRING**



Pin	Beschreibung	5-wire cable (2m)	6-wire cable (5m, 10m)
1	24VDC voltage supply	brown	brown
2	Analog setpoint input	white	white
3	Supply ground	blue	green
4	Analog output (feedback)	black	pink
5	PE connection	grey	grey
<b>Cable shield</b>	EMC shield	shield	shield

\*) A 6-wire cable with separate analog ground is used for cable lengths over 2 m to set off the voltage drop for the setpoint.